

Cortland Series

artistry ❁ technology ❁ craftsmanship



Apple Valley
WOODWORKS

Crafting fine cabinetry for three generations



CORTINA DOOR

Five piece 3/4" thick mitered door with 2-7/8" framing width and matching drawerfront.

Min.: 6-3/4" x 7" • Max.: 41-1/16" x 77-1/16"
Drawer has 2" Frame Width;
Min.: 7" x 5" • Max.: 75 -5/16" x 39 -5/16"



MURANO DOOR

3/4" thick mitered recessed panel door with 2-3/4" framing width and matching drawerfront.

Min.: 6-1/2" x 7" • Max.: 40-13/16" x 76-13/16"
Drawer has 1-3/4" Frame Width;
Min.: 7" x 5" • Max.: 74 -13/16" x 38 -13/16"



PARMA DOOR

7/8" thick mitered recessed panel door with 3-1/8" framing width, 1/2" inside bead and matching drawerfront.

Min.: 7-1/4" x 7-1/4" • Max.: 41-9/16" x 77-9/16"
Drawer has 2" Frame Width;
Min.: 7" x 5" • Max.: 75 -5/16" x 39 -5/16"



SAN MARINO DOOR

7/8" thick mitered recessed panel door with 3-1/8" framing width, 1/2" inside bead and matching drawerfront.

Min.: 7-1/4" x 7-1/4" • Max.: 41-9/16" x 77-9/16"
Drawer has 2" Frame Width;
Min.: 7" x 5" • Max.: 75 -5/16" x 39 -5/16"



Style and Innovation

The Cortland Series begins with Apple Valley's commitment to quality and reliability, and a desire to provide customers with an affordable, high quality alternative to wood. The solution was found in laminated veneers, a product firmly established in Europe and typically sourced from Italy.

Apple Valley prides itself on delivering high quality cabinets, doors and accessories. This commitment is seen in our world class finishing processes and a history of complete and on time delivery.

The Best of Both Worlds

American Craftsmanship and Italian Impression Technology™

Apple Valley Woodworks has combined the perfect blend of high quality American Craftsmanship and this state-of-the-art Impression Technology from Italy.

This new collection utilizes a proprietary process; Italian Impression Technology, to expertly match the laminated veneers and wood product finishes to popular melamines.

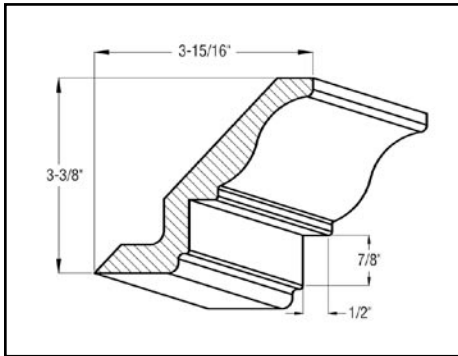
Carefully matching the grain, color and patina, the Cortland Series offers a palette of styles and colors for designers to design custom kitchens one at a time.

Flexible, Affordable... Beautiful.

The Cortland Series features stylish, mitered five-piece doors and matching drawer fronts, offering creativity and design flexibility for the budget conscious designer with discriminating taste.

Cortland delivers product quality, visual attractiveness and the ability to mix and match doors, accessories and components at an affordable price.

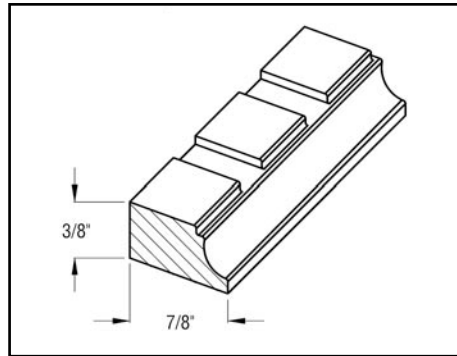
Mouldings



Crown Moulding with Heel

3-3/8" H x 3-15/16" D x 96" L

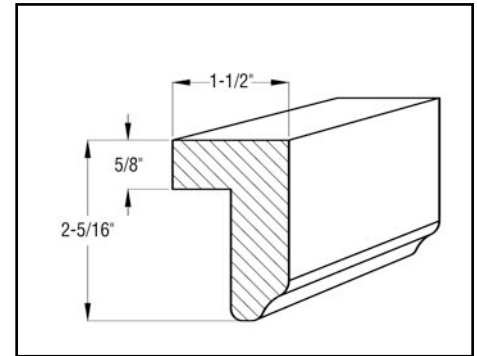
Cortina (IM00005) Murano (IM00006)
Parma (IM00007) San Marino (IM00008)



Dentil Moulding

3/8" H x 7/8" D x 96" L

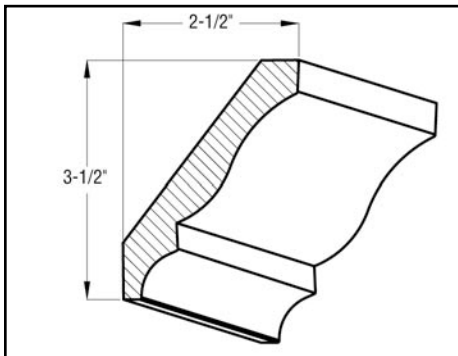
Cortina (IM00017) Murano (IM00019)
Parma (IM00018) San Marino (IM00020)



Light Rail Moulding

2-5/16" H x 1-1/2" D x 96" L

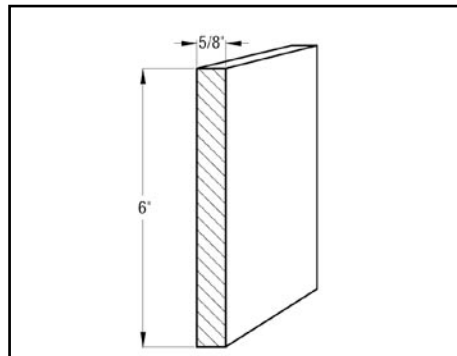
Cortina (IM00029) Murano (IM00031)
Parma (IM00030) San Marino (IM00032)



Medium Crown Moulding

3-1/2" H x 2-1/2" D x 96" L

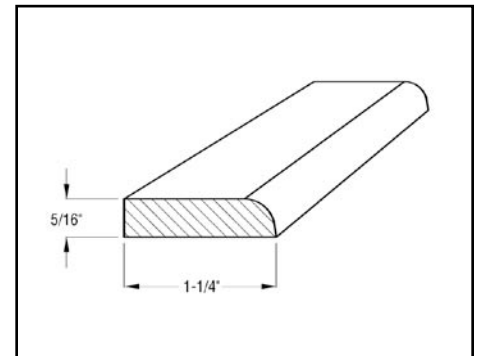
Cortina (IM00009) Murano (IM00011)
Parma (IM00010) San Marino (IM00012)



Fascia Moulding

6" H x 5/8" D x 96" L

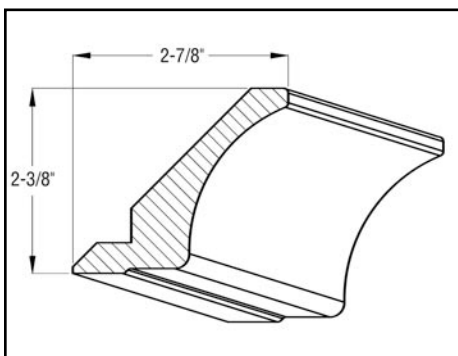
Cortina (IM00013) Murano (IM00015)
Parma (IM00014) San Marino (IM00016)



Scribe Moulding

5/16" H x 1-1/4" D x 96" L

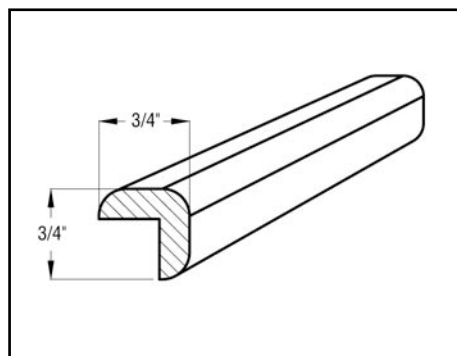
Cortina (IM00025) Murano (IM00027)
Parma (IM00026) San Marino (IM00028)



Cove Crown Moulding w/ Heel

2-3/8" H x 2-7/8" D x 96" L

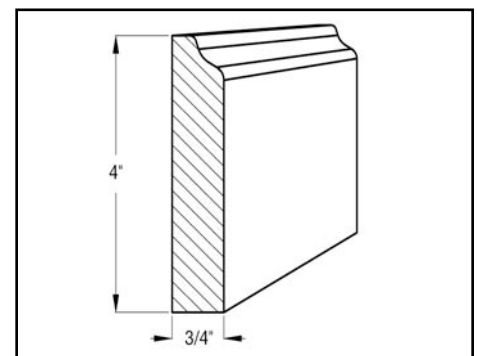
Cortina (IM00001) Murano (IM00003)
Parma (IM00002) San Marino (IM00004)



Outside Corner Moulding

3/4" H x 3/4" D x 96" L

Cortina (IM00021) Murano (IM00023)
Parma (IM00022) San Marino (IM00024)



Base/Toe Kick Moulding

4" H x 3/4" D x 96" L

Cortina (IM00033) Murano (IM00035)
Parma (IM00034) San Marino (IM00036)

Moulding Chip Chains and Touch Up Kits

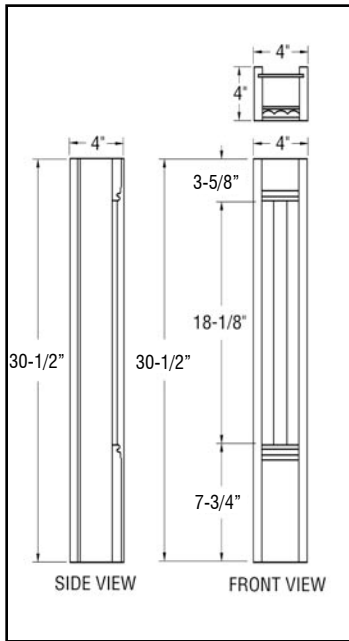
Moulding Chip Chains

Each moulding chip kit contains 9 individually labeled moulding profile samples shown in a variety of colors. These 6" cross sections serve as an attractive visual tool to assist your customers in making quick and intelligent moulding selections. Each moulding kit can be ordered by using part #2600610A.

Touch Up Kits

A perfect gift to include with each kitchen purchase, each touch up kit includes a stain marker and fill stick. For touching up the patina areas of these products, corresponding glaze kits are also available.

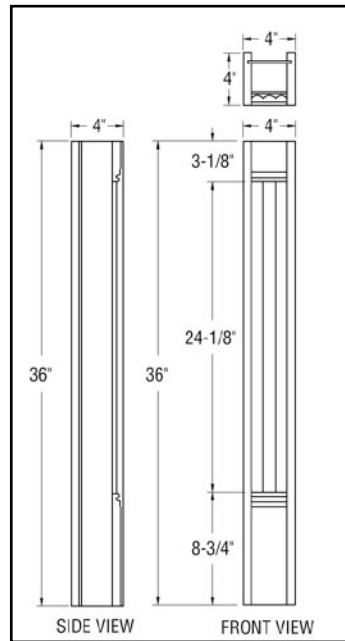
Accessories



Wall Pilaster - 30" H

30" H x 4" D x 4" W

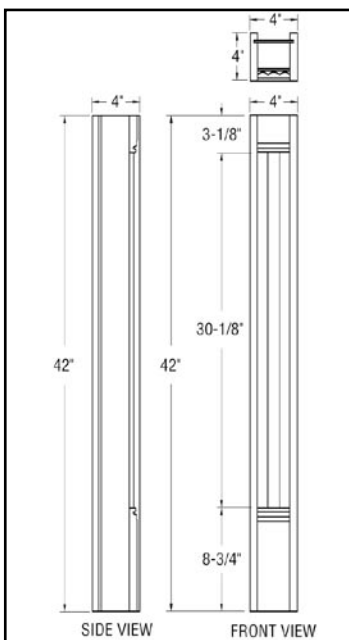
Cortina (IM00053)
 Parma (IM00054)
 Murano (IM00055)
 San Marino (IM00056)



Wall Pilaster - 36" H

36" H x 4" D x 4" W

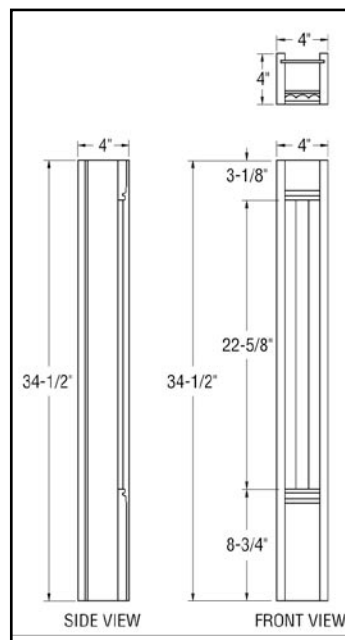
Cortina (IM00057)
 Parma (IM00058)
 Murano (IM00059)
 San Marino (IM00060)



Wall Pilaster - 42" H

42" H x 4" D x 4" W

Cortina (IM00061)
 Parma (IM00062)
 Murano (IM00063)
 San Marino (IM00064)

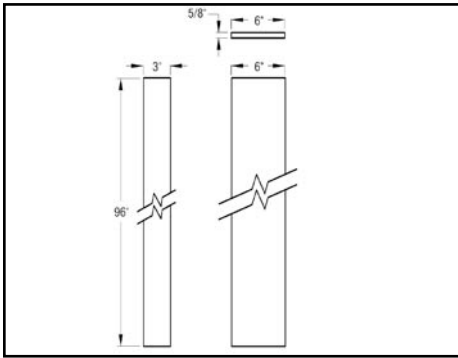


Base Pilaster

34-1/2" H x 4" D x 4" W

Cortina (IM00065)
 Parma (IM00066)
 Murano (IM00067)
 San Marino (IM00068)

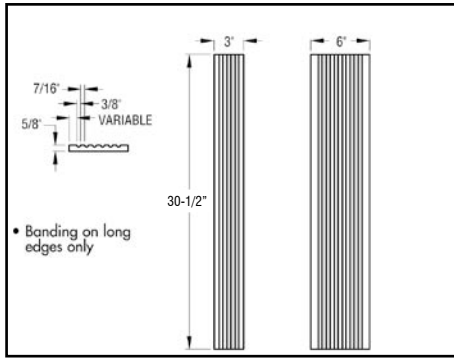
Accessories



Universal Filler

3" W x 5/8" T x 96" L 6" W x 5/8" T x 96" L

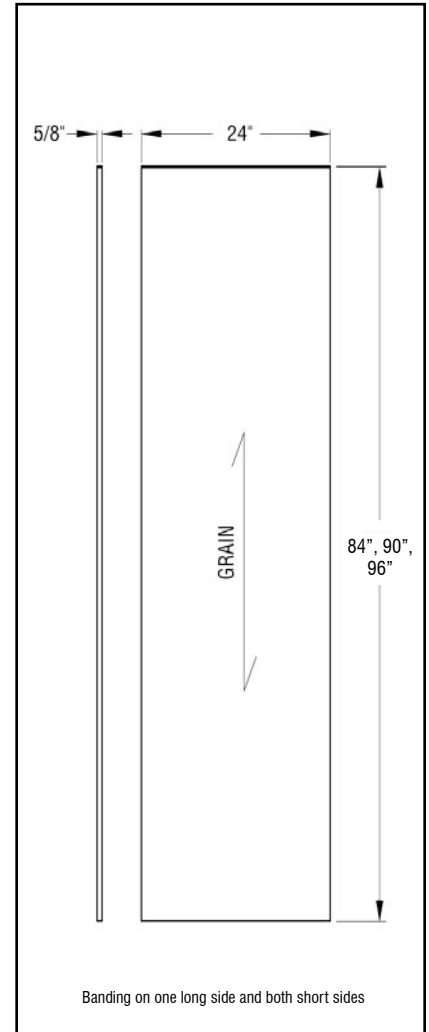
Cortina (IM00037)	Cortina (IM00041)
Parma (IM00038)	Parma (IM00042)
Murano (IM00039)	Murano (IM00043)
San Marino (IM00040)	San Marino (IM00044)



Fluted Filler

3" W x 5/8" T x 30" L 6" W x 5/8" T x 30" L

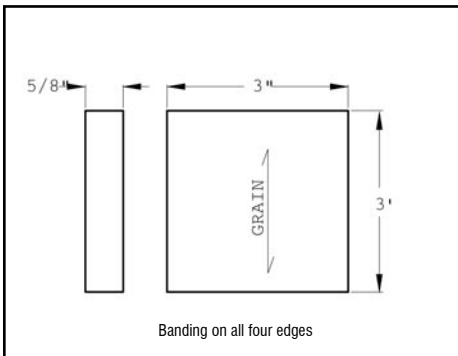
Cortina (IM00045)	Cortina (IM00049)
Parma (IM00046)	Parma (IM00050)
Murano (IM00047)	Murano (IM00051)
San Marino (IM00048)	San Marino (IM00052)



Base/Tall End Panel

24" W x 5/8" T x 96" L

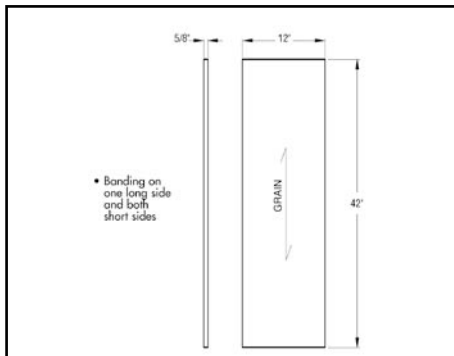
Cortina (IM00085)	Murano (IM00087)
Parma (IM00086)	San Marino (IM00088)



Plinth Block

3" H x 3" W x 5/8" T

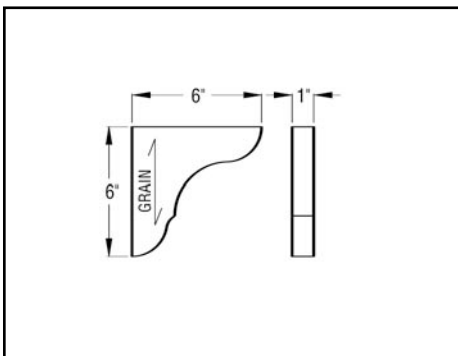
Cortina (IM00069)	Murano (IM00071)
Parma (IM00070)	San Marino (IM00072)



Wall End Panel

12" W x 5/8" T x 42" L

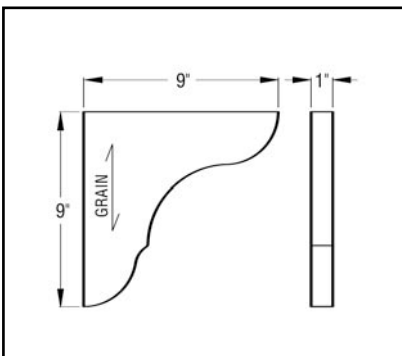
Cortina (IM00081)	Murano (IM00083)
Parma (IM00082)	San Marino (IM00084)



Knee Bracket - 6"

6" H x 6" W x 1" T

Cortina (IM00073)	Murano (IM00075)
Parma (IM00074)	San Marino (IM00076)



Knee Bracket - 9"

9" H x 9" W x 1" T

Cortina (IM00077)	Murano (IM00079)
Parma (IM00078)	San Marino (IM00080)



Cortland Series

artistry * technology * craftsmanship



Apple Valley
WOODWORKS

Crafting fine cabinetry for three generations

74 Spring Street • Southington, CT 06489
Tel: 860-620-9330 • www.applevalleywoodworks.com